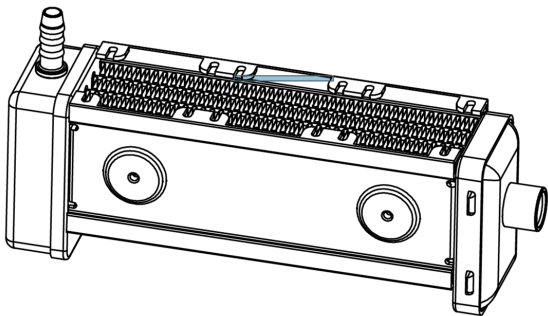


**NEW PRODUCT SPEC SHEET**

**Model Number: RA40**

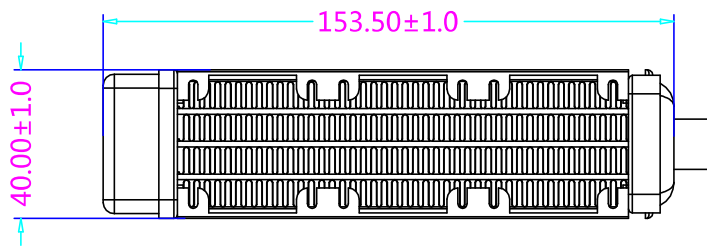
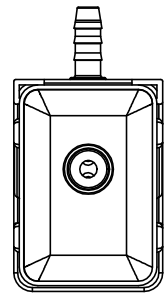
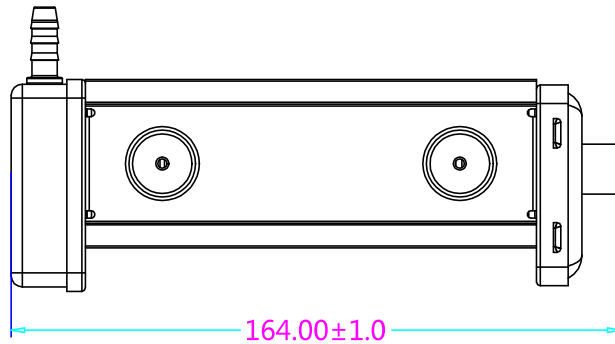
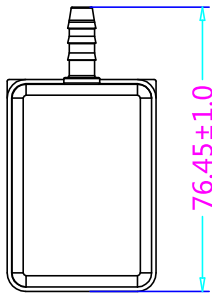
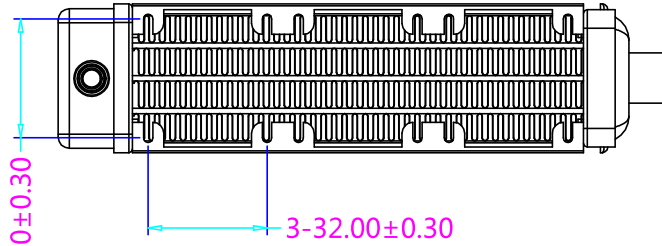
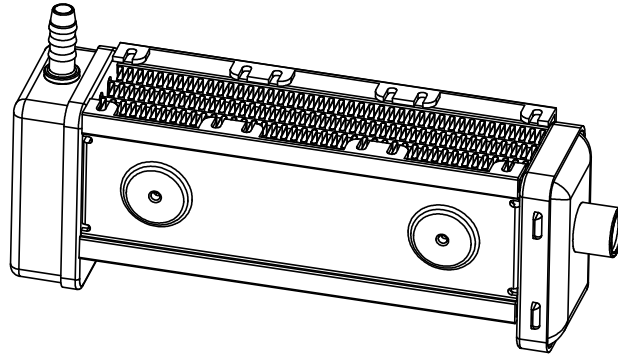
- High-Performance design 4cm radiator
- **Compatible with standard 40mm fans**
- UNC 6-32 thread tapping
- High-durability acrylic paint finish
- Fans can be installed in both directions
- Application: 1U servers



**Overall Specification:**

- Dimension: 164 x 76.0 x 40.0mm
- Weight: 148g  $\pm$  5g
- Material: Aluminum fins
- RoHS Compliant
- 7.5mm OD Barbs
- Compatible hose: 5mm ID

FileNo.:DM-RA40



	NAME	DATE
DRAWN BY		2017.08.30
CHECKED BY		
ENG.APPROVED		



Dynatron Corporation

TITLE:

RA40

This drawing contains Dynatron Corporation proprietary information. Any reproduction, disclosure, or use of this drawing is restrictly prohibited except as Dynatron Corporation otherwise agrees to in writing.

VIEW	
UNITS	MM

DWG. No:  
DYN-DM-RA40\_R0

REV.  
A